

# SHIEK 4.0/5.0

06-May-2016

## 4.0

LED 8W | 220-240VAC | PCB 3-step | ambient white dim | 1800-2850K

CE IP20 0.3m

white texture + gold	234489J9
black texture + gold	234489K9
copper	234489P9
white texture	234489W9
black texture + copper	234489Z9

## 5.0

LED 8W | 220-240VAC | PCB 3-step | ambient white dim | 1800-2850K

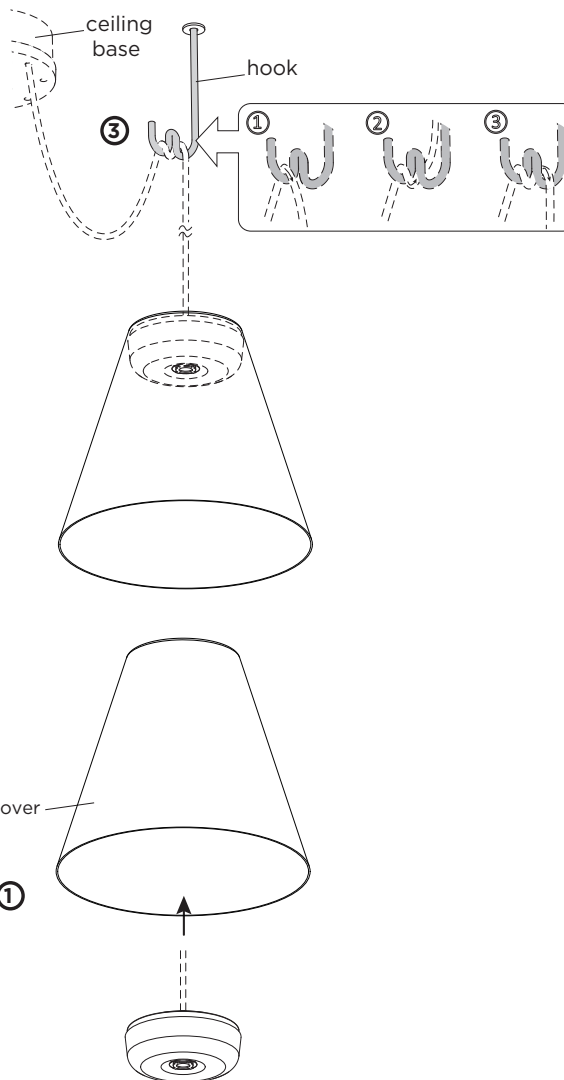
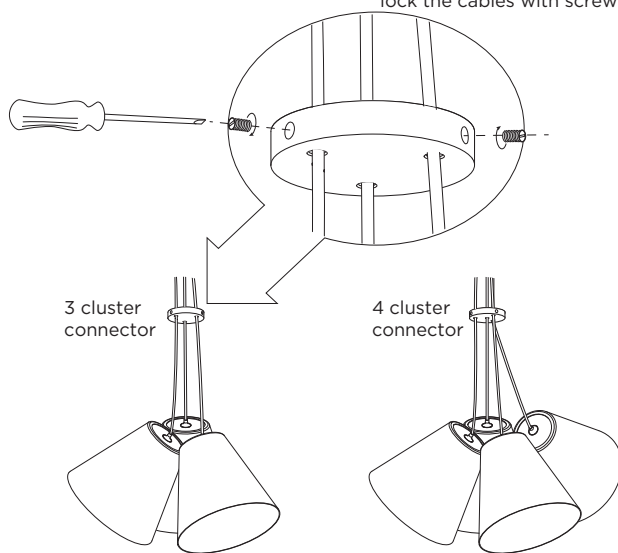
CE IP20 0.3m

white texture + gold	234589J9
black texture + gold	234589K9
copper	234589P9
white texture	234589W9
black texture + copper	234589Z9

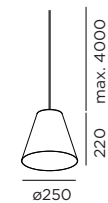
### OPTIONAL

single ceiling base  
multi ceiling bases  
3 or 4 cluster connector

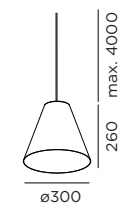
When the cable length  
is determined, please  
lock the cables with screws.



## DIMENSIONS



SHIEK 4.0



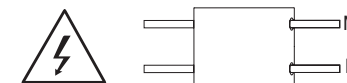
SHIEK 5.0

## MOUNTING INSTRUCTION

- Let the cable pass through the hole on the cover top.

## POWER CONNECTION

- Connect the power supply connection: STANDARD version



- Hang the cable on the hook.



WEVER & DUCRÉ  
LIGHTING

[www.weverducre.com](http://www.weverducre.com)

Wever & Ducre bvba Kwadestraat 153 bus 2.1 8800 Roeselare

INSTALLATION  
INSTRUCTIONS